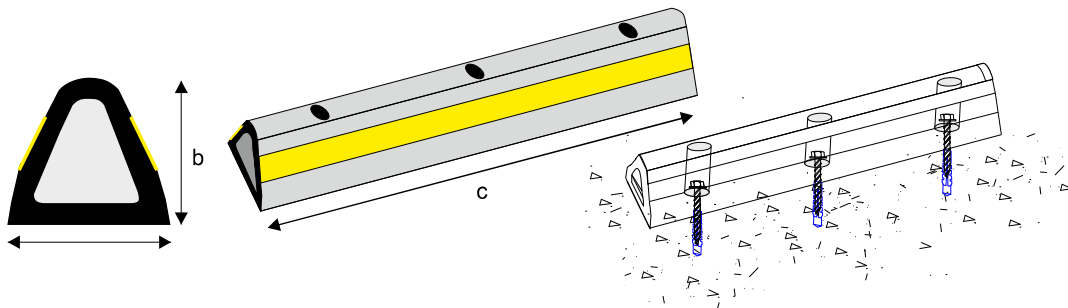


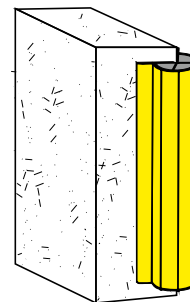
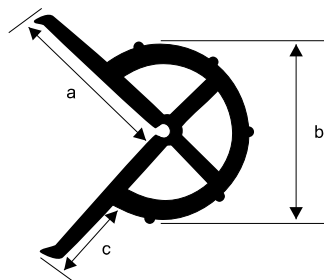
**PARKING STOPPERS**

Type	a	b	c
PS 100	100	100	60 - 130 - 160 - 180
Hardness : Shore A 85			
Material : PVC			



**CORNER GUARD HEAVY DUTY**

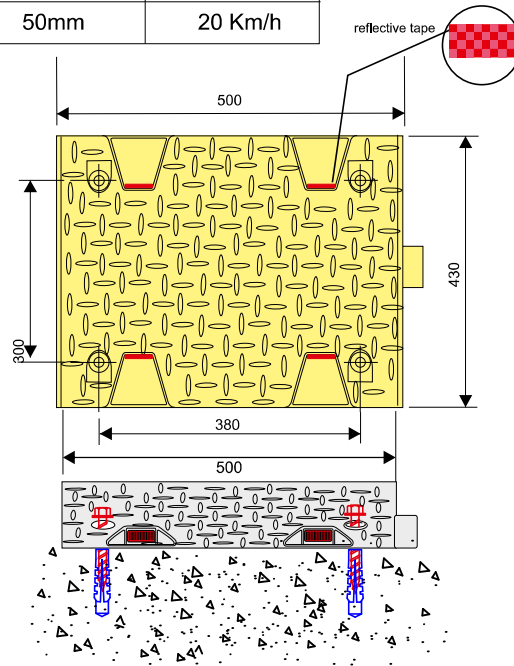
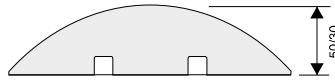
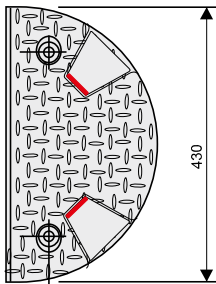
Type	a	b	c	
CG - 60	80	60	40	0.5 m - 0.80m - 1m
Hardness : Shore A 85				
Material : TPE - PVC				



CAR PARK AREA SAFETY

### Road bump

Type	Width	Length	Hight	Speed
RB 30 middle piece	500mm	430mm	30mm	30 Km/h
Rbe 30 end piece	220mm	430mm	30mm	30 Km/h
RB 50 middle piece	500mm	430mm	50mm	20 Km/h
Rbe 50 end piece	220mm	430mm	50mm	20 Km/h
Standard Colors: Black Yellow				
Material : PVC				



### Parking and Bike lane separator

Type	Width	Hight	Length
STP - 80	16 cm	5 cm	0.60m - 1.2m
Colors:Yellow -Black			
Material : TPE			



**ROAD SAFETY**